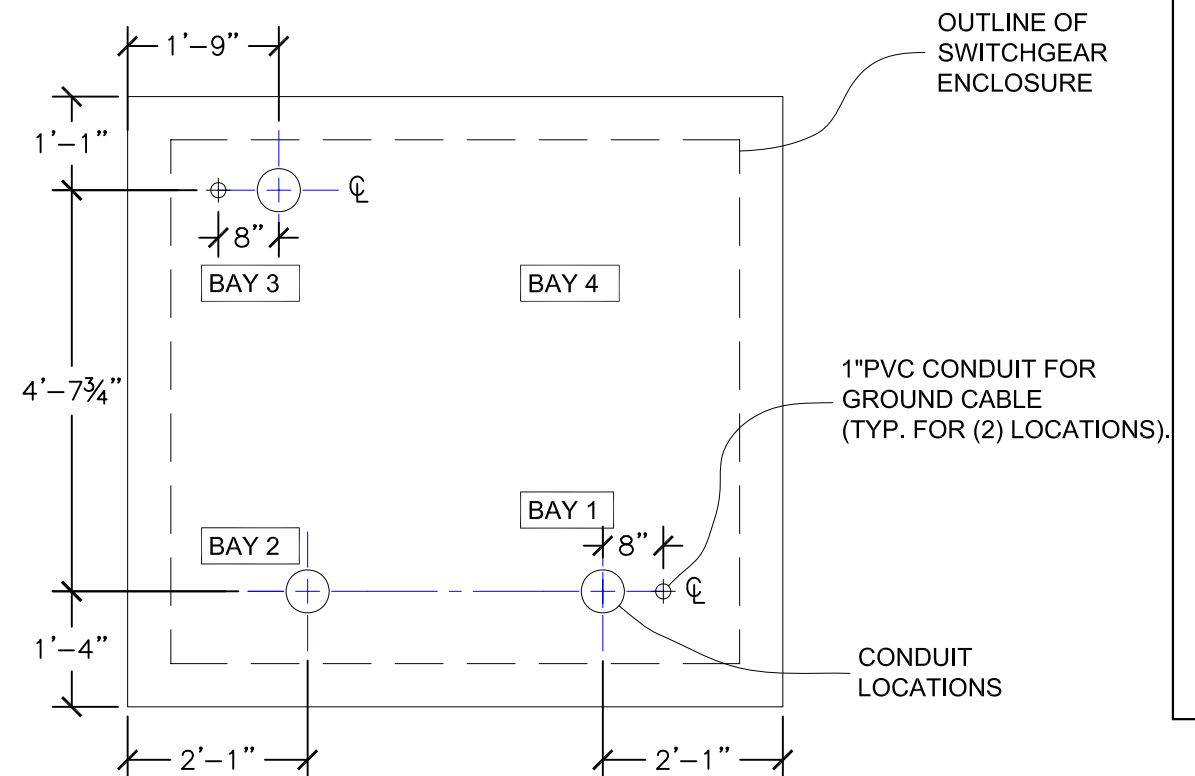
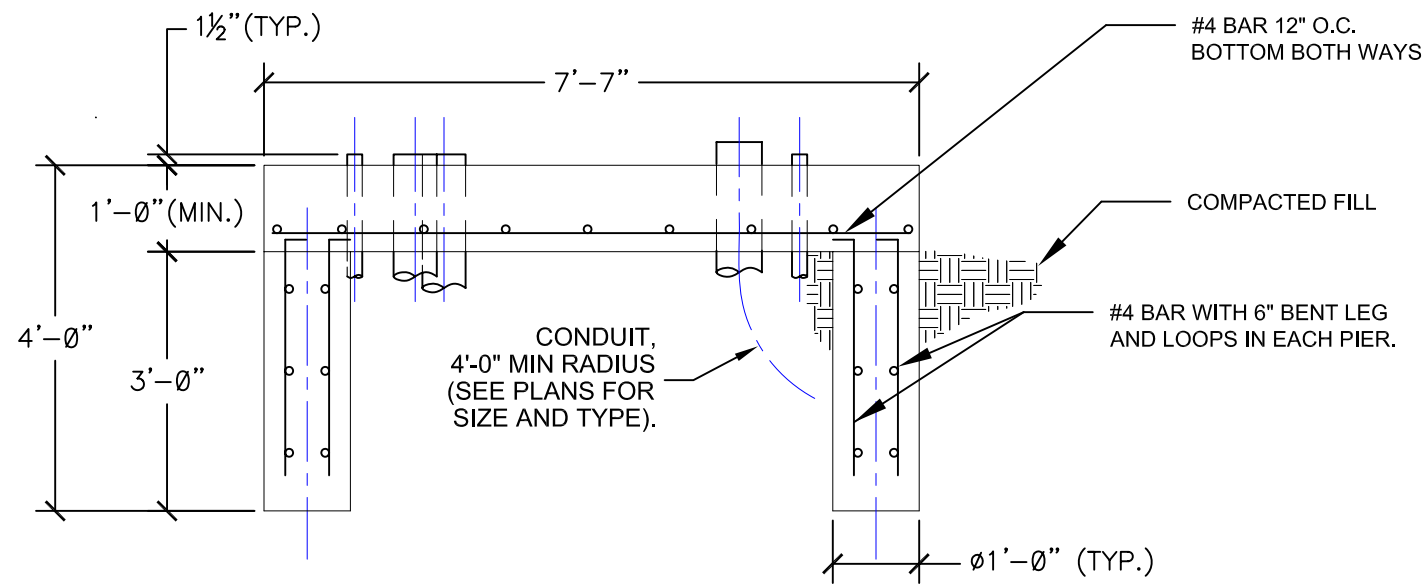


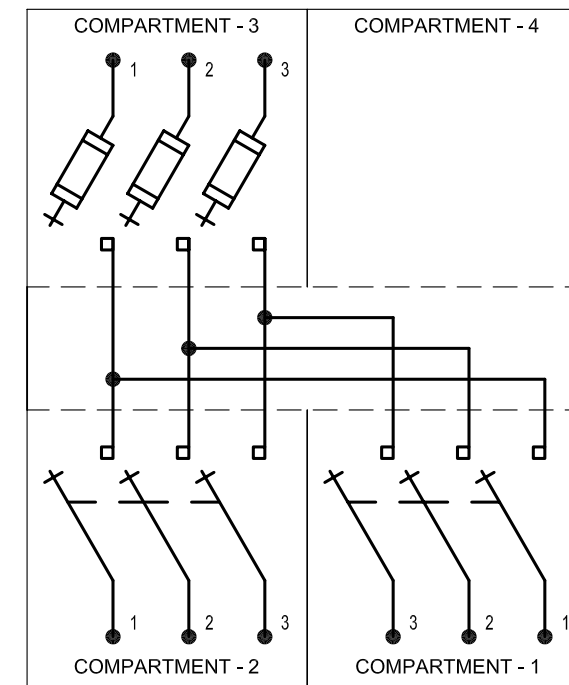
PLAN VIEW: PIER ORIENTATION



PLAN VIEW: CONDUIT LOCATIONS



VIEW: ELEVATION



PMH-6 CONNECTION DIAGRAM

**MATERIAL NOTES:**

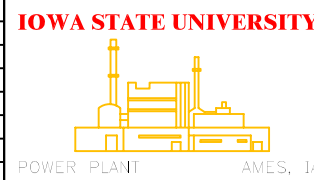
CONCRETE:  
 28 DAY STRENGTH - 4000 PSI  
 COARSE AGGREGATE - 1" LIMESTONE  
 AIR ENTRAINING - 5% TO 7%

CONCRETE REINFORCEMENT:  
 ASTM A615 GRADE 60.

**NOTES:**

CONCRETE PAD MINIMUM 6" ABOVE FINISHED GROUND AND LEVEL.  
 ADJUST THICKNESS TO ACCOMMODATE GRADING

ENGR: RKL		DATE: 9/2/2009	
#	Date	Revision	By
SHEET SIZE: 11 X 17		SCALE = NTS	



FACILITIES PLANNING  
 &  
 MANAGEMENT  
 UTILITY SERVICES

DWG. TITLE: SWITCHGEAR S&C PMH 6	
TYPE: CONCRETE DETAIL	
DWG. NO.: EU-3_PMH 6	REV.: SHEET: 1 OF 1